



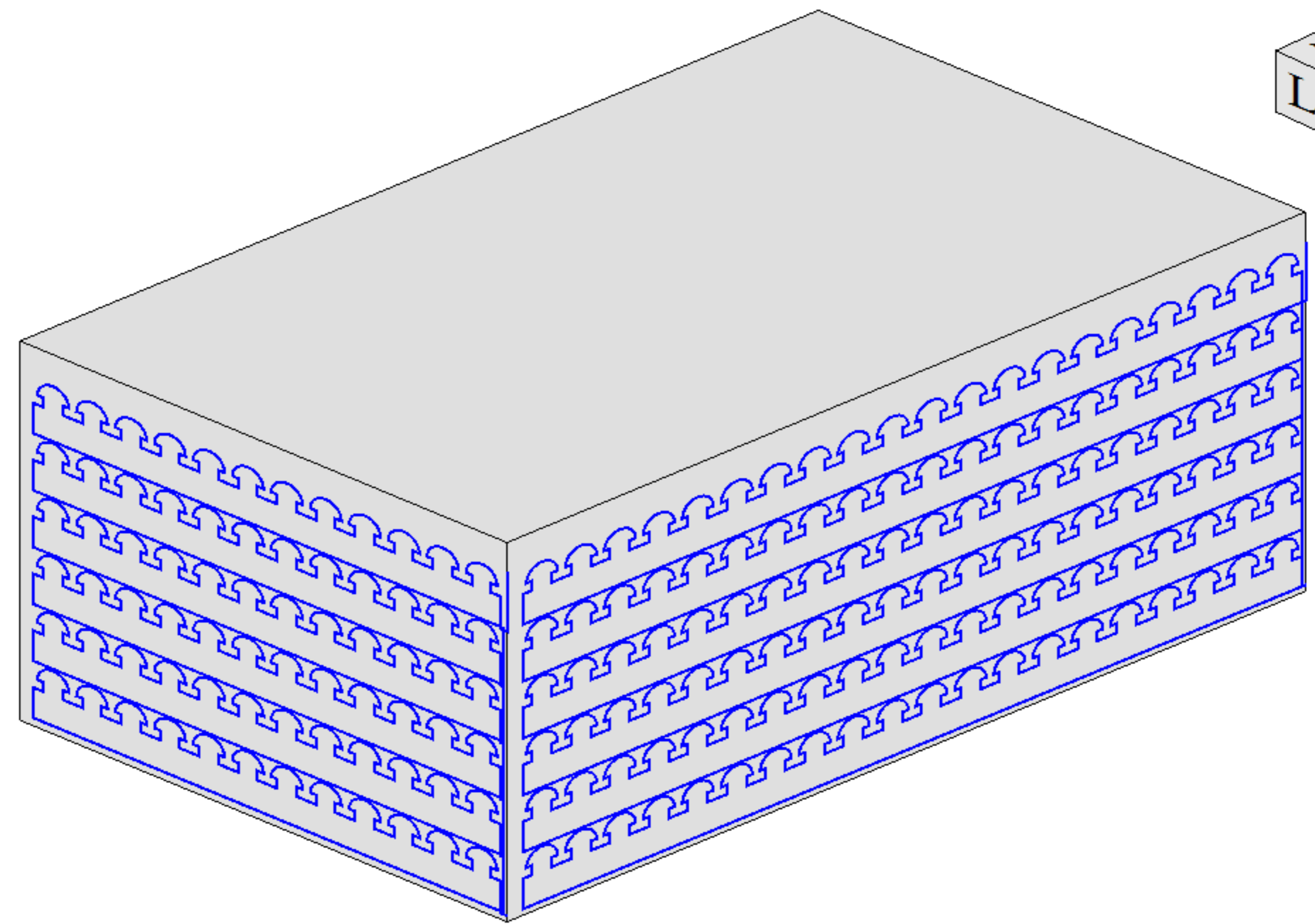


Idle 







**Working Settings**  
 Machine Targets: Default

Task Name:   
 Task NO.:

**Foam Size**  
 Width:   
 Height:   
 Deep:

Planned Number:   
 Finshied Number:   
 Speed Ratio:   
 Estimated Time:

**Add or Replace Current Surface**

Offset Step (mm)

 Pause
  EMG Stop
  PINT

 History
  File

 OK
  Cancel